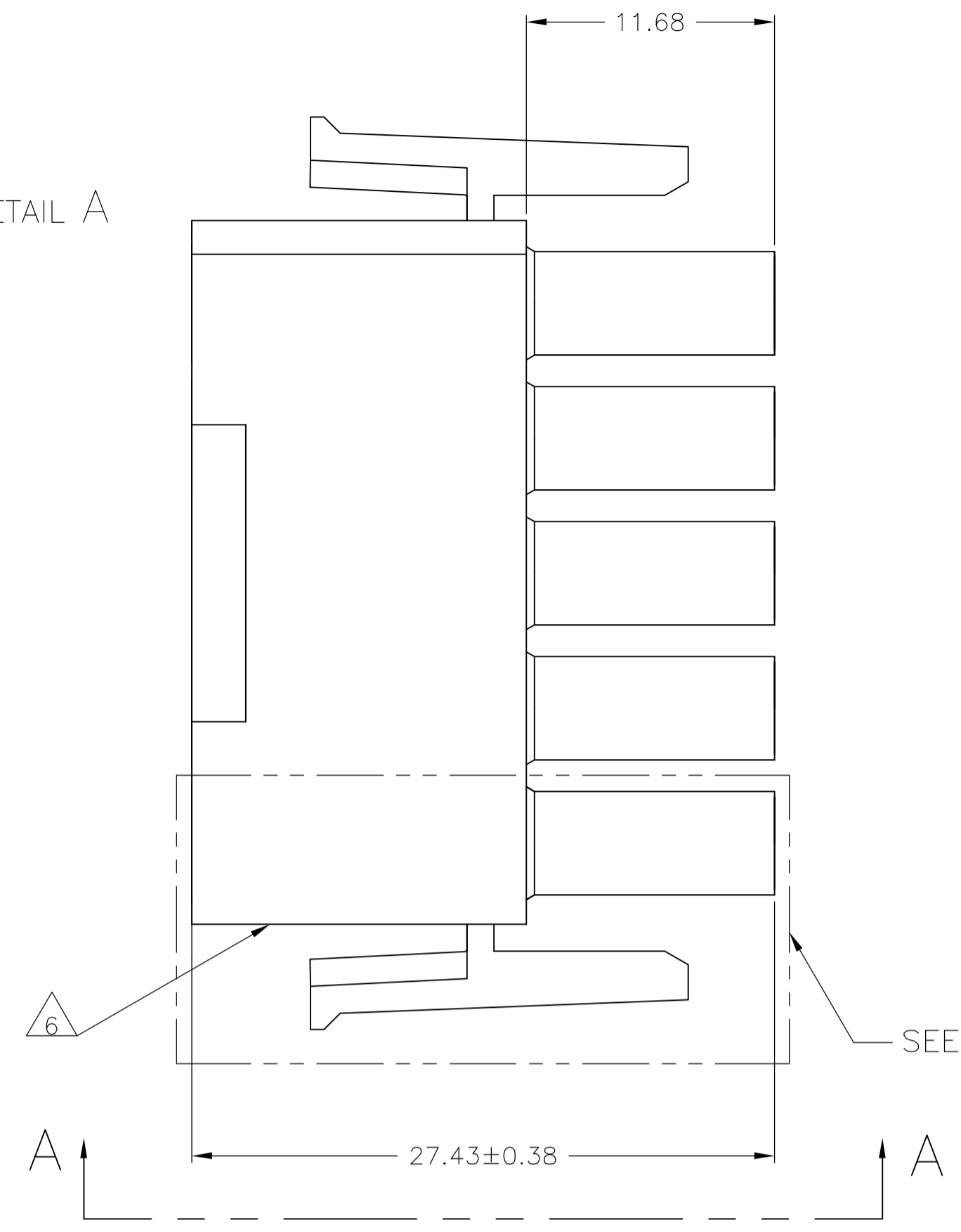
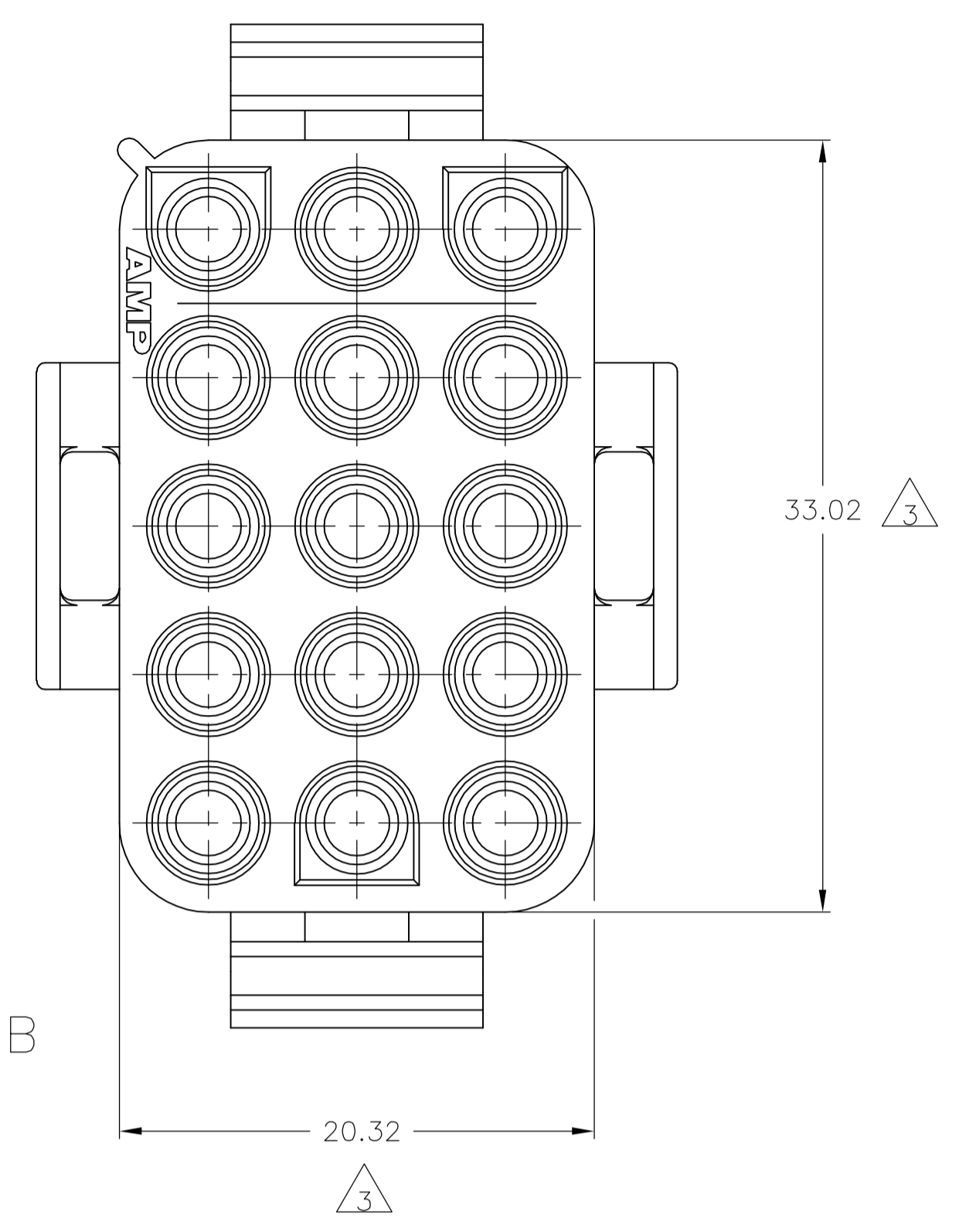


SEE DETAIL A

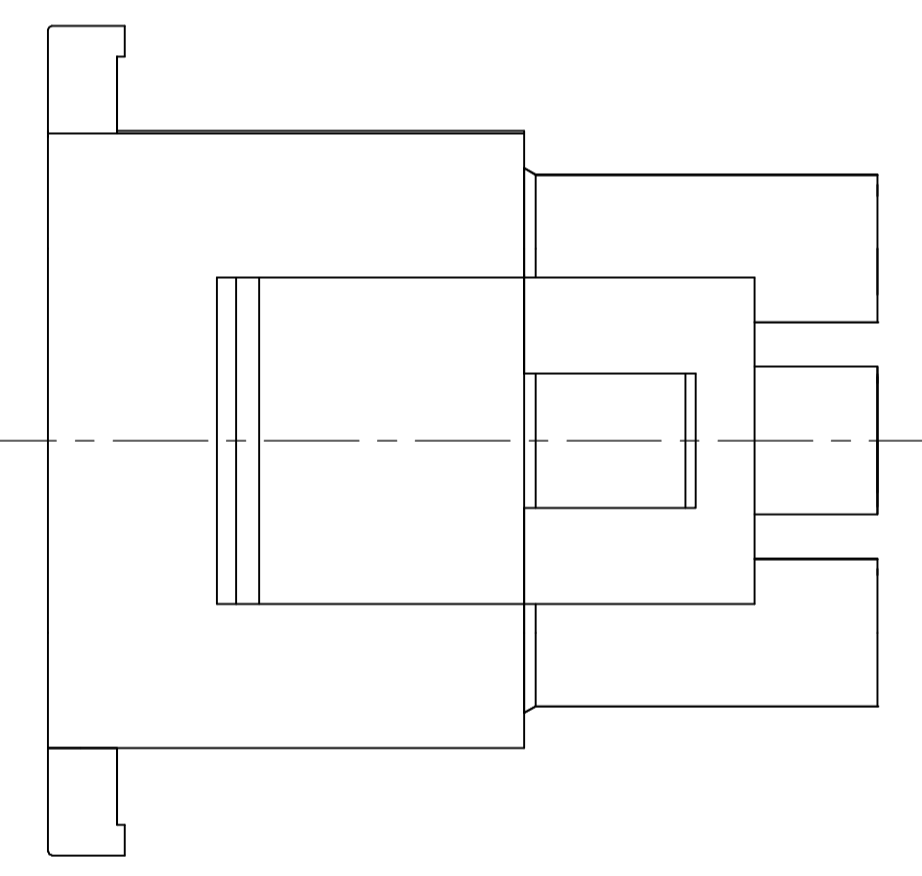


SEE DETAIL B

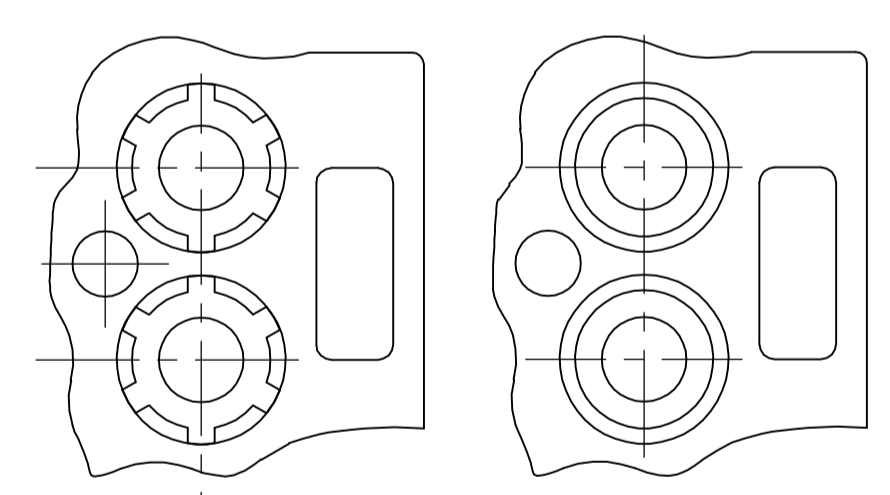
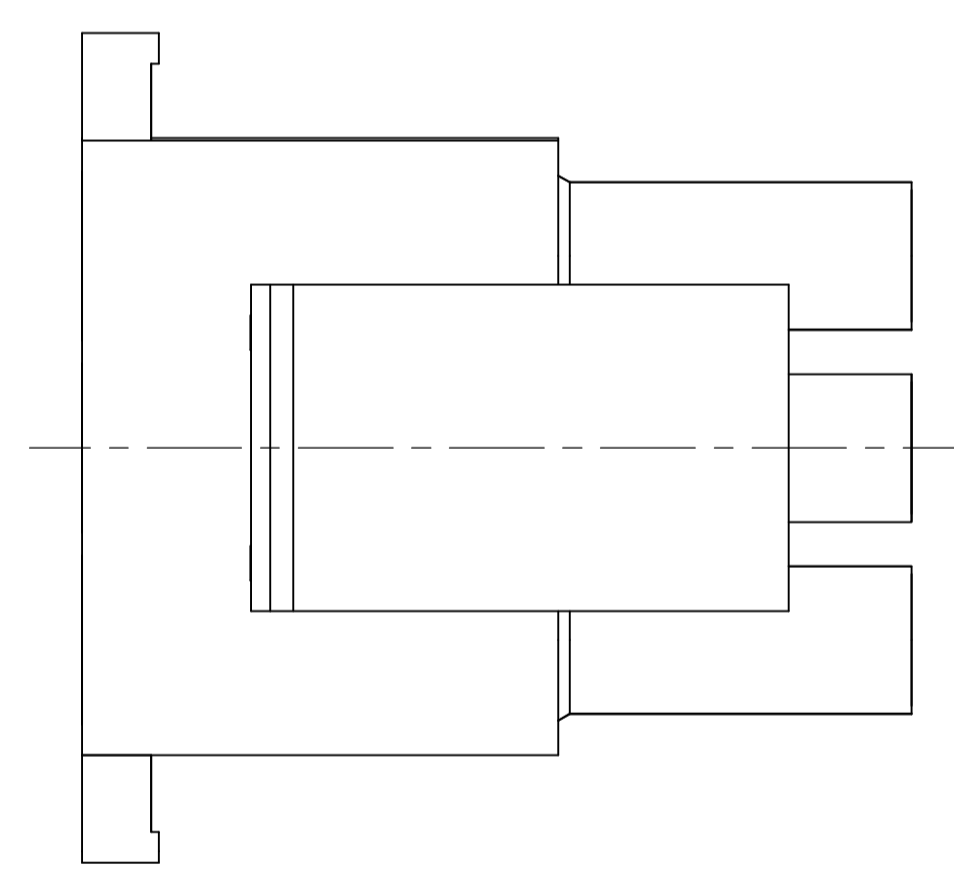


- MATES WITH APPROPRIATE UNIVERSAL MATE-N-LOK™ CAP OR HEADER.
- SMALL NICKS ARE PERMITTED ON THE CIRCUIT TOWERS WHICH COULD INCREASE THE INITIAL HOUSING MATING FORCE BY UP TO 4.4 NEWTONS [1.0 LBS]. NO INDIVIDUAL NICKED TOWER SHALL INCREASE THIS FORCE BY OVER 2.2 NEWTONS [.5 LBS].

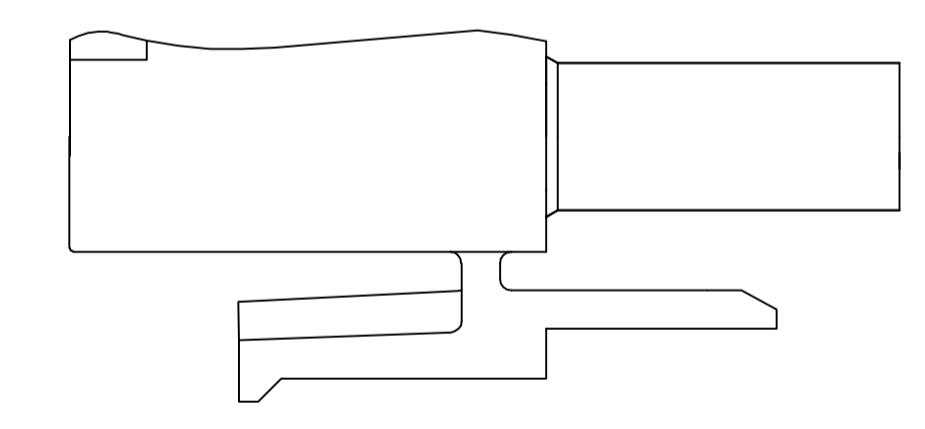
- △3 DIMENSION INDICATED IS AS MOLDED. ADDITIONAL GROWTH DUE TO SUBSEQUENT MOISTURE ABSORPTION MAY OCCUR.
- △4 FOUR RIBS EQUALLY SPACED, NO SPECIFIC ORIENTATION. NO RIBS OR SIX RIBS EQUALLY SPACED, NO SPECIFIC ORIENTATION, OPTIONAL.
- △5 NOT MANUFACTURED IN U.S.
- △6 UNDERWRITERS RECOGNIZED COMPONENT LOGO AND CSA CERTIFICATION LOGO TO BE LOCATED ONCE ON EACH SIDE OF HOUSING.



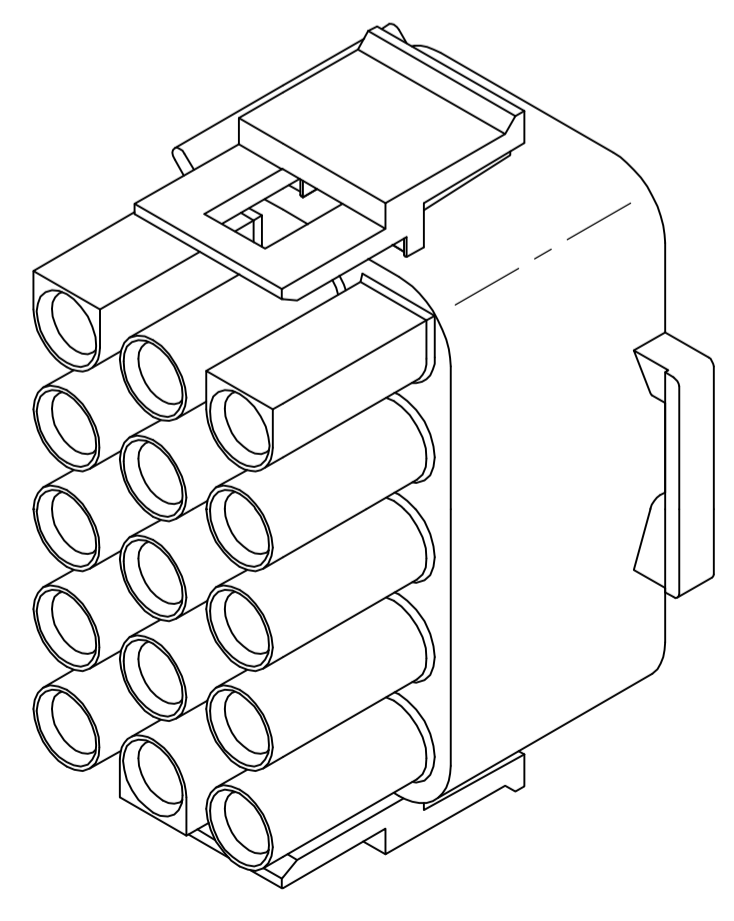
VIEW A-A
350736-4 ONLY



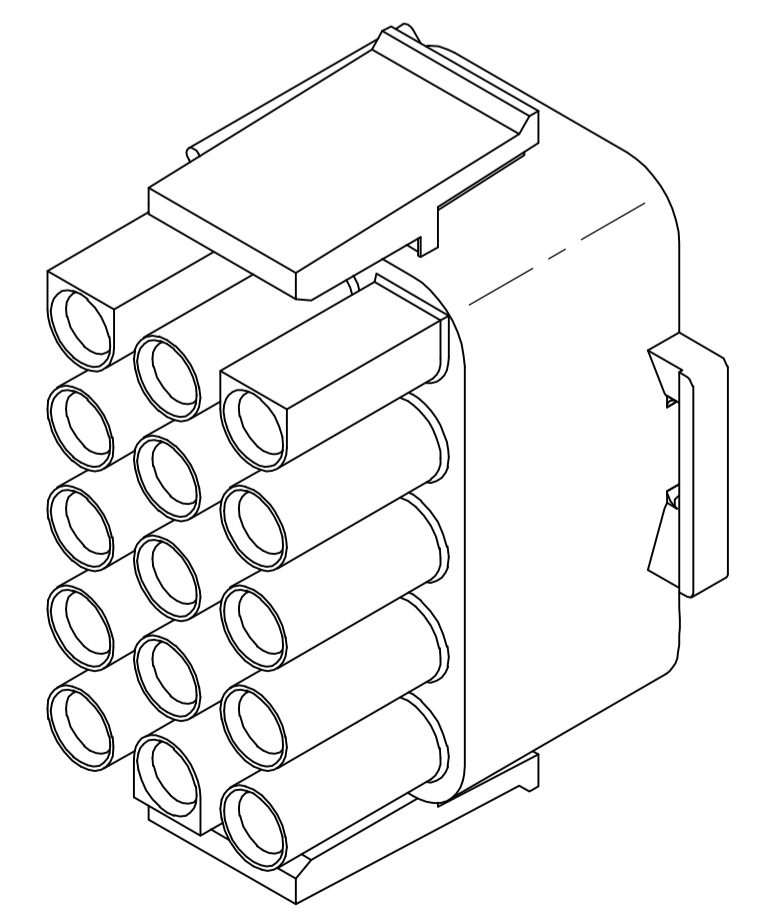
DETAIL A
OPTIONAL CONSTRUCTION



DETAIL B
350736-4 ONLY



350736-4 3-DIMENSIONAL MODEL
NTS



3-DIMENSIONAL MODEL
NTS

33.02	1.300
27.43	1.080
20.32	.800
11.68	.460
0.38	.015
0.13	.005
MM	IN

CONVERSION TABLE

BLACK	1-350736-9
GRAY	1-350736-8
BLUE	1-350736-6
GREEN	1-350736-5
YELLOW	1-350736-4
ORANGE	1-350736-3
RED	1-350736-2
BROWN	1-350736-1
△	350736-4
NATURAL	350736-1
COLOR	PART NUMBER

METRIC

THIS DRAWING IS A CONTROLLED DOCUMENT.

DIMENSIONS:	TOLERANCES UNLESS OTHERWISE SPECIFIED:	DWN	K. WHITAKER	20FEB92		Tyco Electronics Corporation	
mm	0 PLC ± - 1 PLC ± - 2 PLC ± 0.13 3 PLC ± - 4 PLC ± - ANGLES ± 0.30°	CHK	R. SWING	20FEB92		Harrisburg, PA 17105-3608	
		APVD	D. SELF	24FEB92	NAME	PLUG, 15 CIRCUIT, UNIVERSAL MATE-N-LOK™	
MATERIAL	NYLON,UL 94V-0	FINISH	-	WEIGHT	-	SIZE	CAGE CODE DRAWING NO
				A1 00779		RESTRICTED TO	-
				CUSTOMER DRAWING		SCALE	4:1 SHEET 1 OF 1 REV V1